

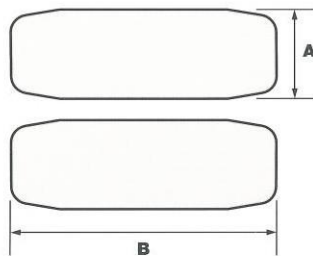
BMM Weston Dupress 62" Rotary Press



Table Sizes Dupress 62

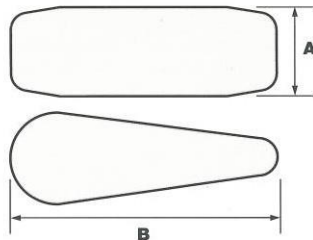
Rectangular Buck

A 546 mm
B 1549 mm



Rectangular Buck & Tapered Buck

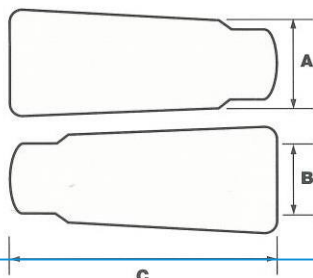
A 546 mm
B 1549 mm



Coatmaster

On Request TL

A 508 mm
B 445 mm
C 1537 mm

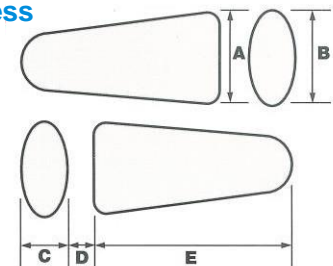


The range of tables available enables a wide variety of garments to be finished.

Nurses Uniform Press

On Request E
On Request TL

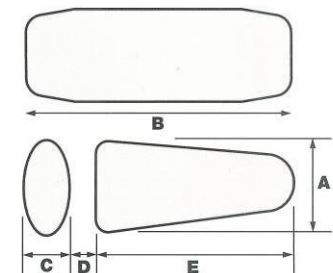
A 508 mm
B 496 mm
C 242 mm
D 191 mm
E 1143 mm



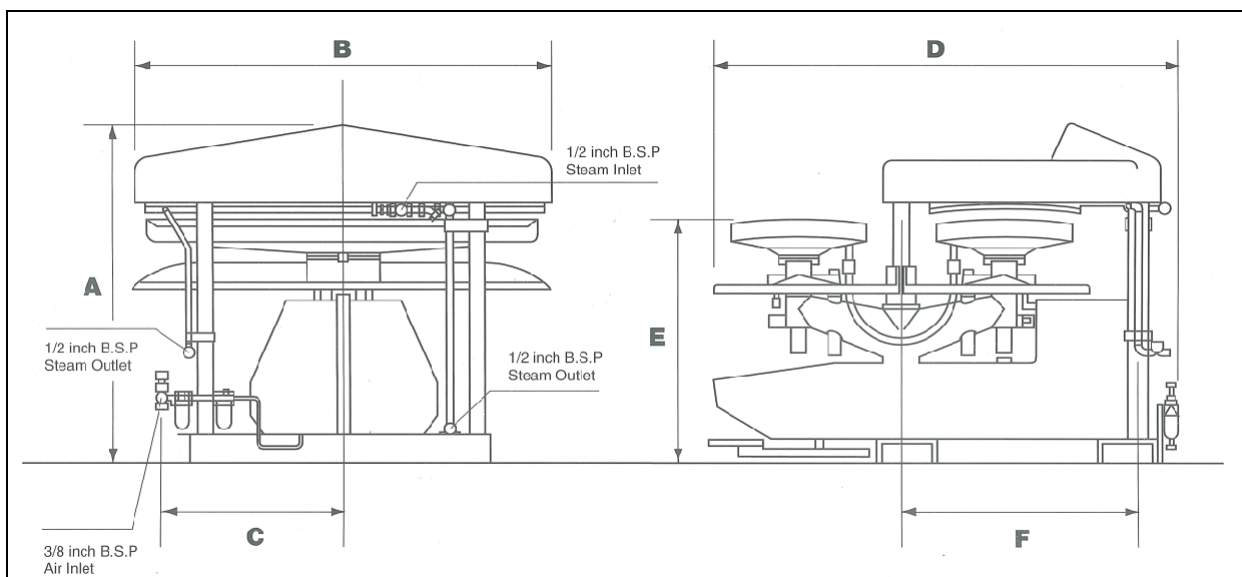
Nurses Uniform White Coat

On Request E
On Request TL

A 508 mm
B 1549 mm
C 242 mm
D 191 mm
E 1143 mm



BMM Weston Dupress 62 Range



DIMENSIONS

A	1340 mm	1400 mm	1340 mm	1340 mm
B	1664 mm	1835 mm	1664 mm	1644 mm
C	686 mm	686 mm	686 mm	727 mm
D	1826 mm	1826 mm	2040 mm	1826 mm
E	970 mm	970 mm	970 mm	970 mm
F	940 mm	940 mm	940 mm	940 mm

*Dimensions C is 727 mm for V3431

TECHNICAL DATA

Air pressure	4 – 7 Bar	4 – 7 Bar	FULL	FULL
Air consumption (free air cycle)	34 Litres	34 Litres	SPEC	SPEC
Steam Pressure	4 – 8 Bar	4 – 8 Bar	ON	ON
Steam Consumption	27 kg/hr	27 kg/hr	REQUEST	REQUEST
Nett Weight	1076 kg	1126 kg	1350 kg	1116 kg

OPTIONAL EXTRAS

Spray Gun			•	•
Steam Trap <i>(see note 1)</i>	•	•		
Peripheral Safety Guarding <i>(see note 2)</i>	•	•	•	•

SHIPPING SPECIFICATIONS

Gross Weight	1450 kg	1550 kg	1550 kg	1450 kg
Average Case Dimensions	2.00 x 2.00 x 1.60	2.00 x 2.00 x 1.60	2.20 x 2.00 x 1.60	2.00 x 2.00 x 1.60
Customs Tariff	8440.8599	8440.8599	8440.1440	8440.8599

Note 1: Steam trap set not applicable for model TL - Coatmaster

Note 2: Peripheral Safety Guarding is required for machines supplied into the E.U.

*Available for this model.